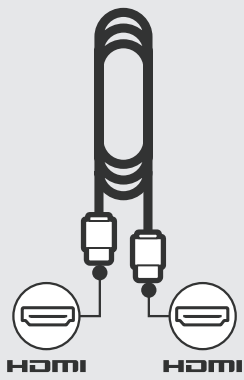
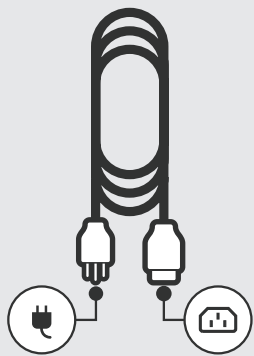
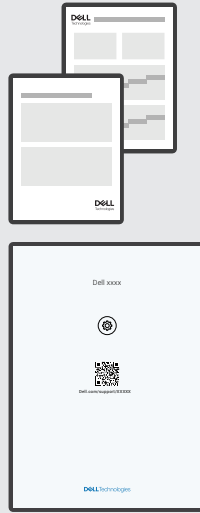
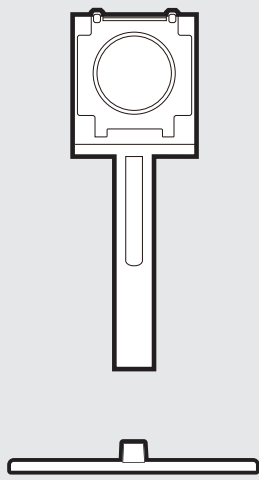


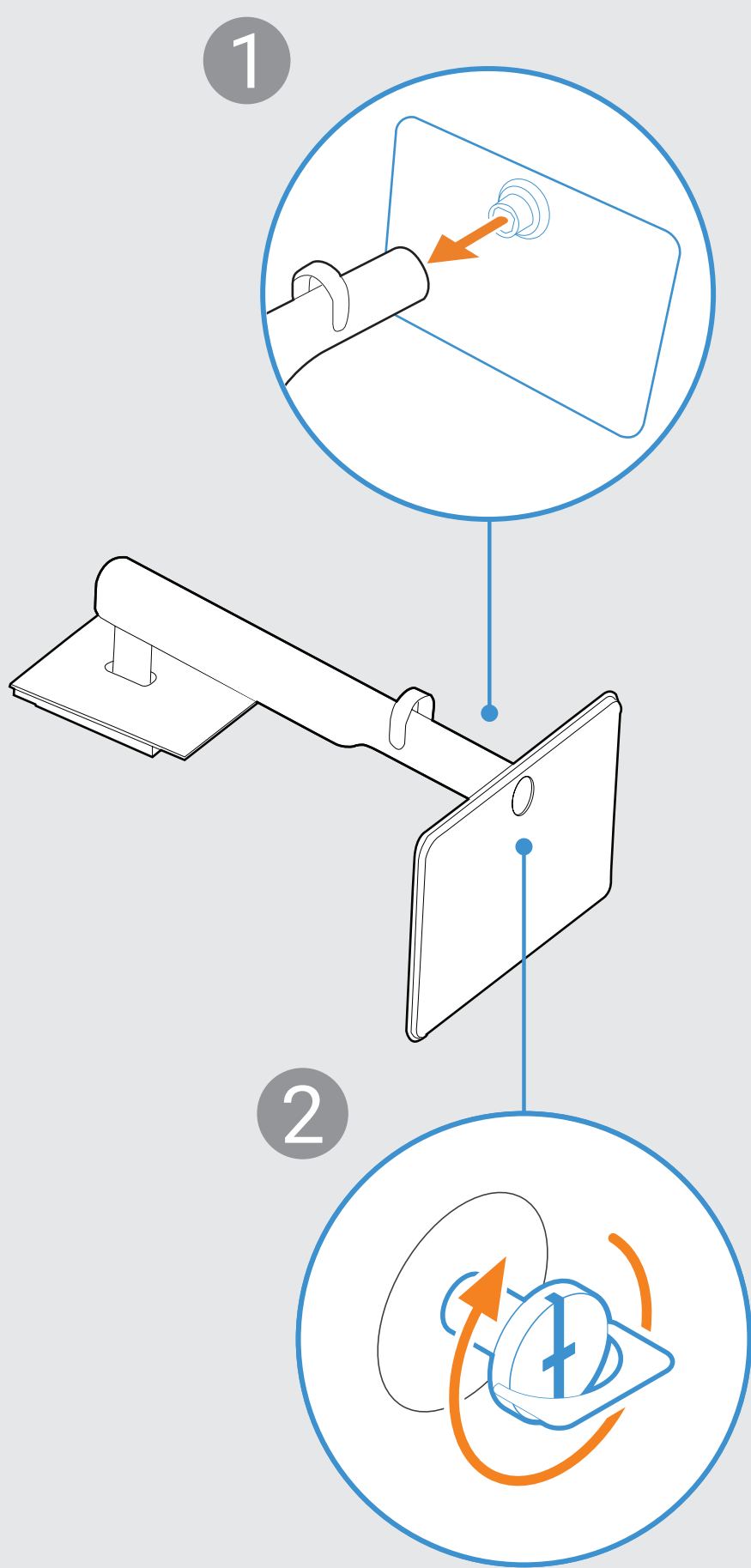


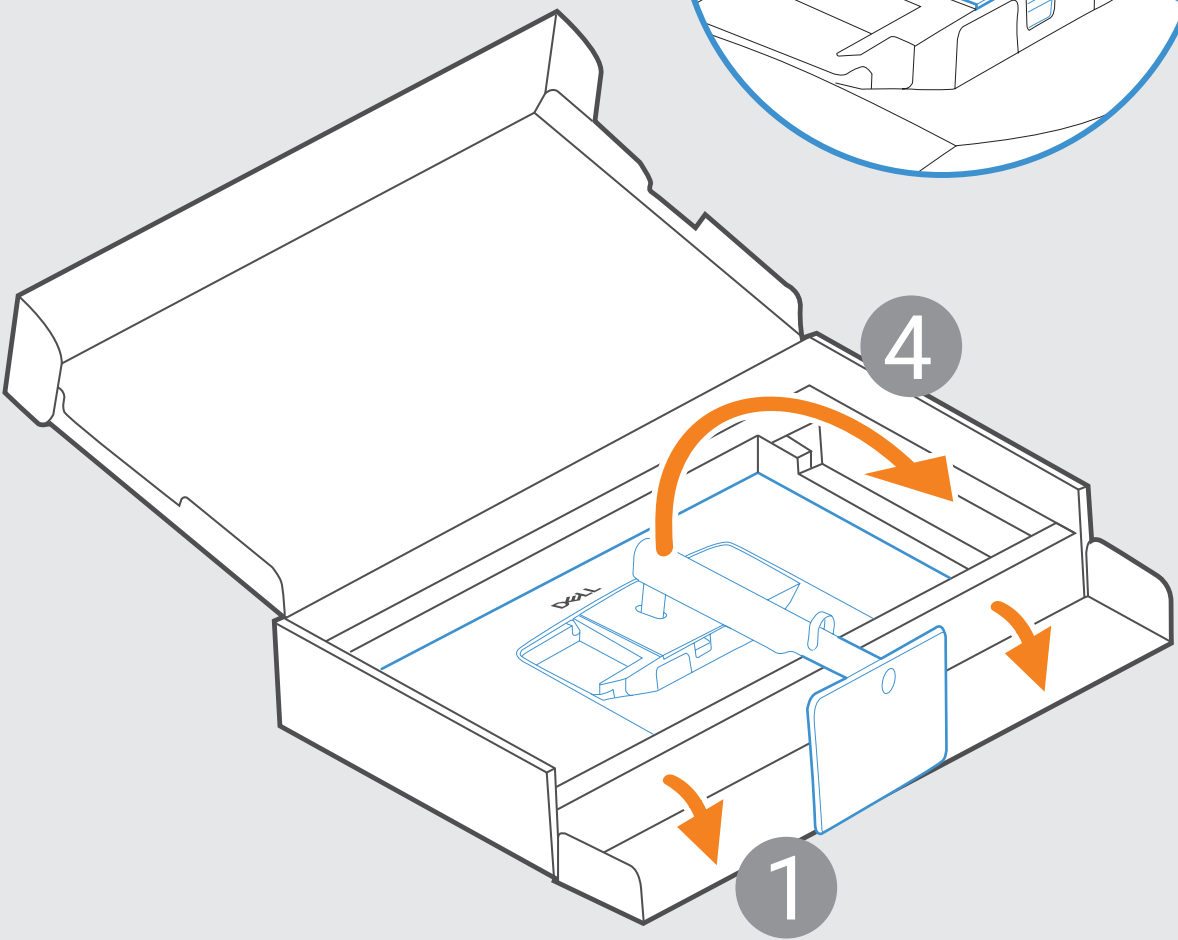
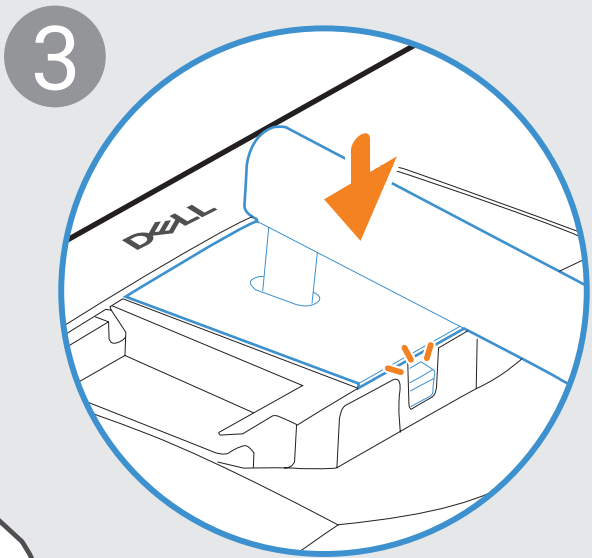
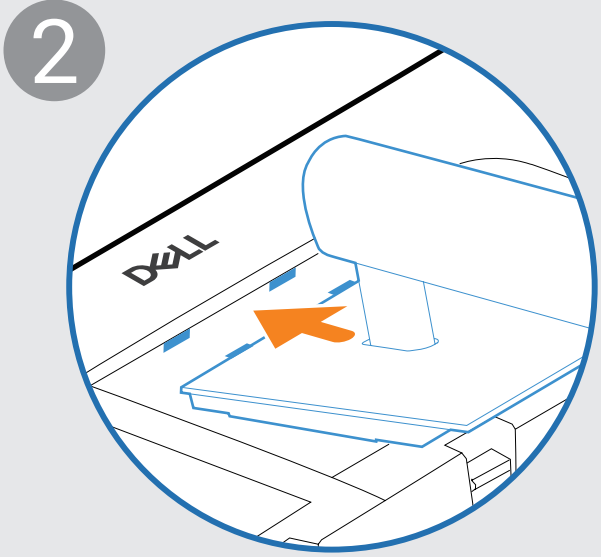
Dell 32 Plus 4K Monitor

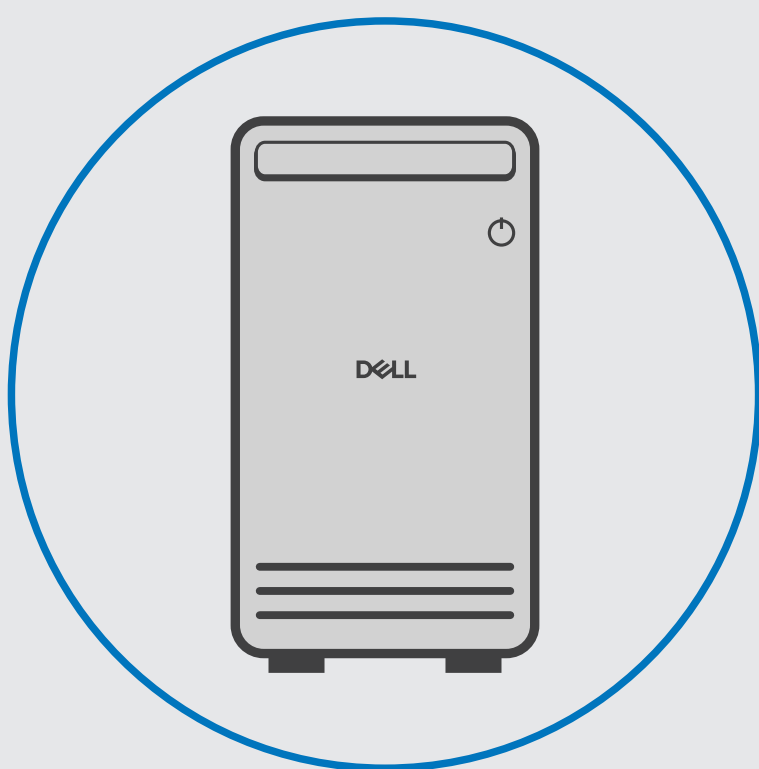
S3225QS





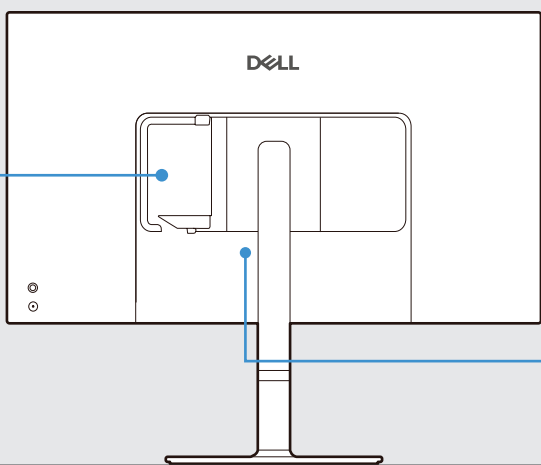
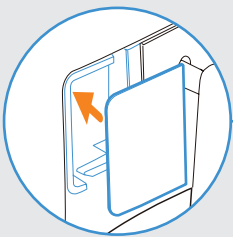




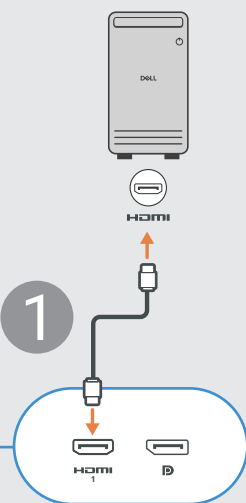


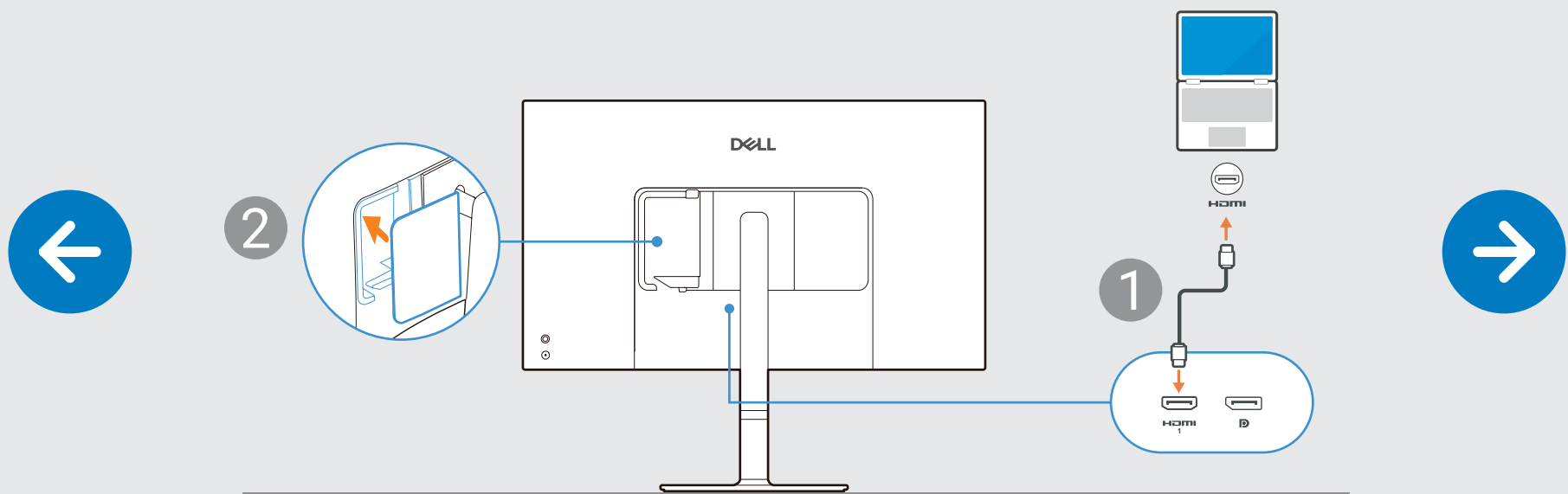


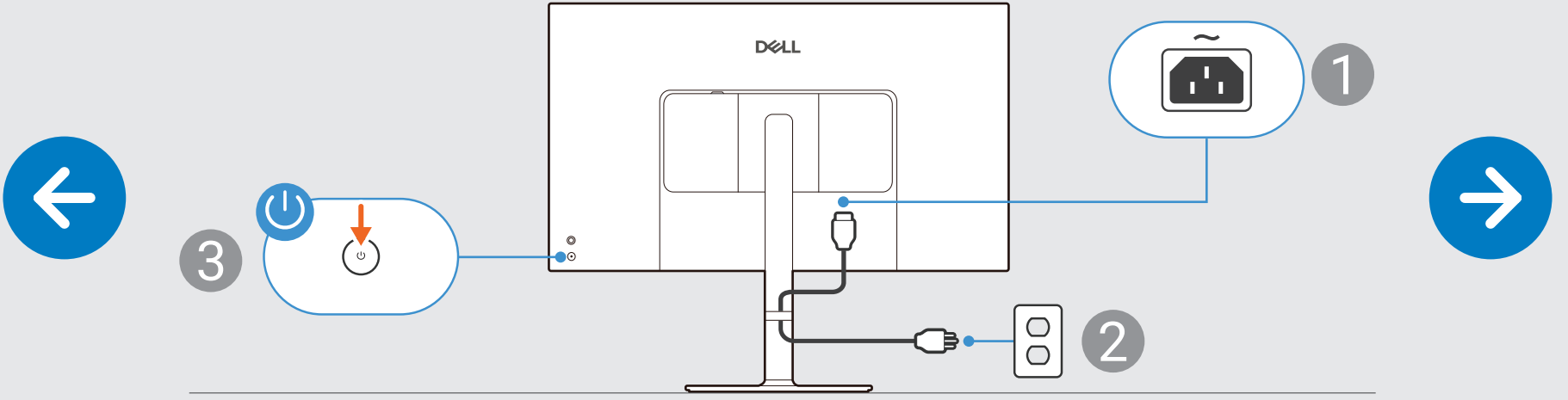
2

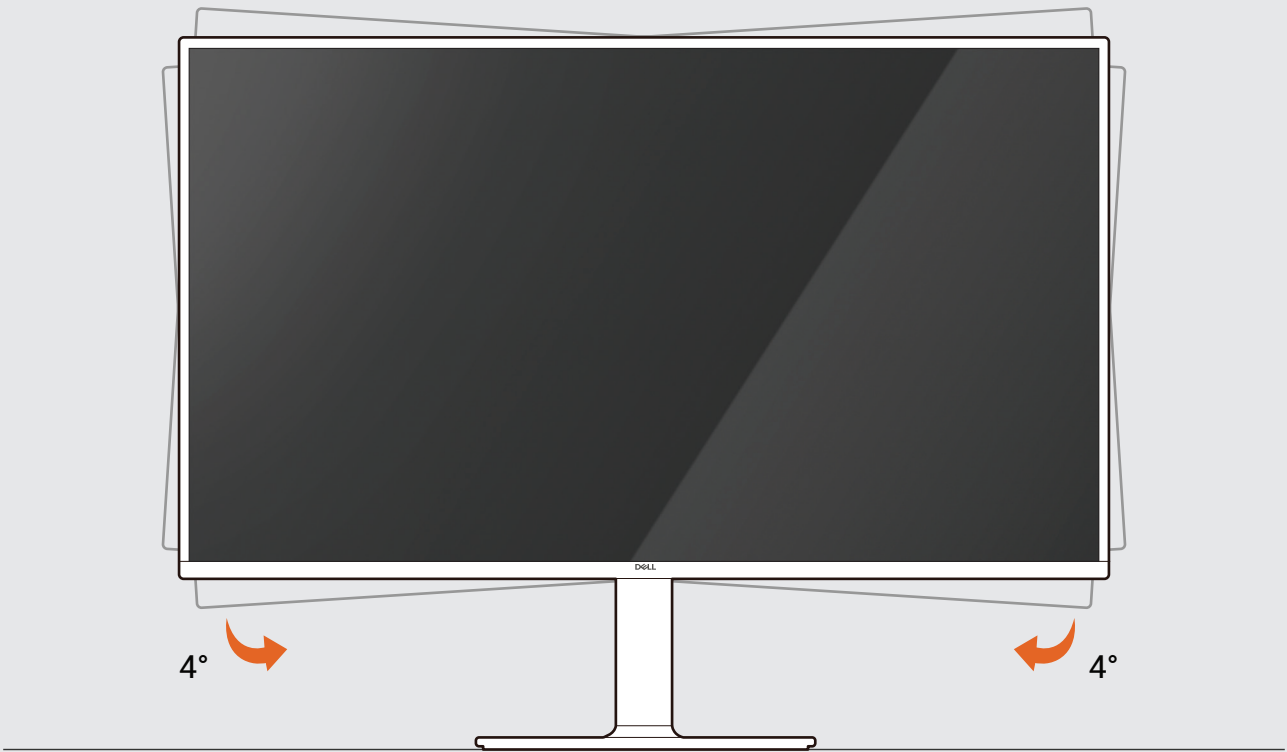
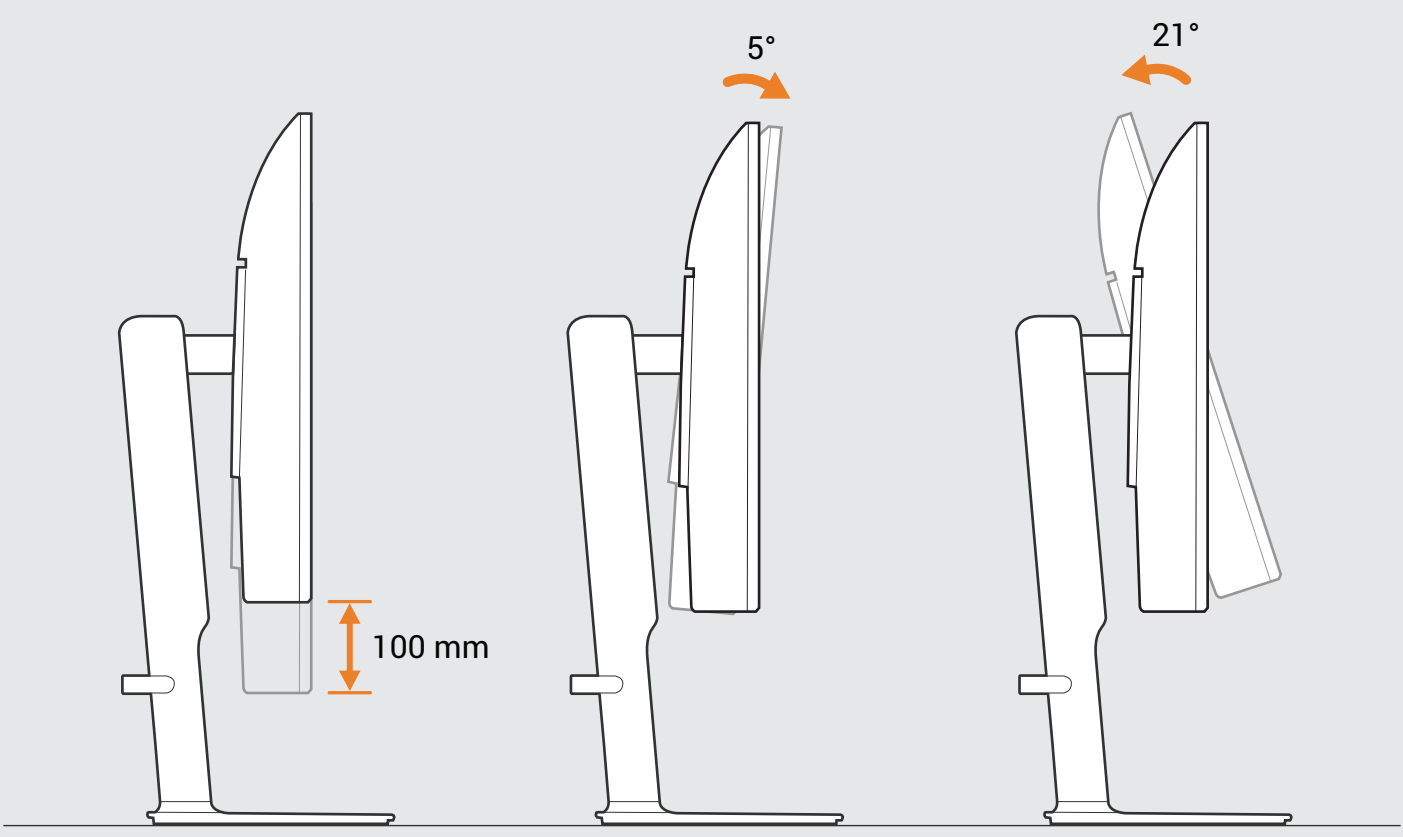


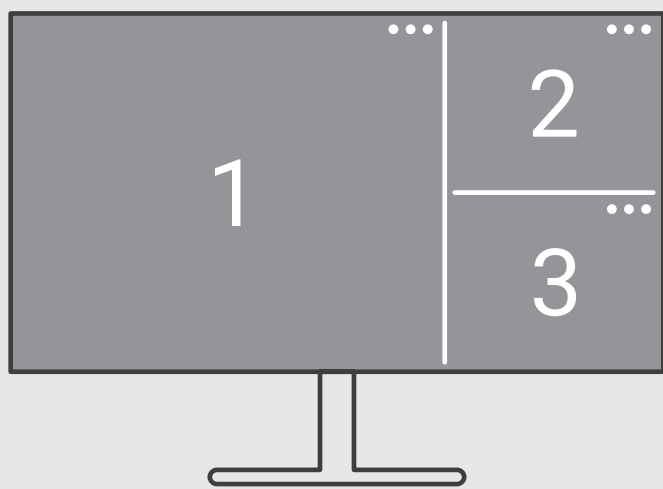
1



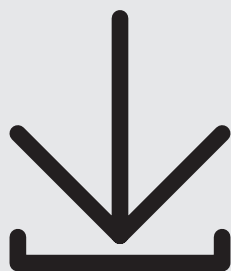








Dell Display and Peripheral Manager
Dell.com/support/ddpm



Dell.com/support/S3225QS